

# INSTRUCTIONS FOR INSTALLING A MONETARY COMPARTMENT FRAME REPLACEMENT KIT ON A NATIONAL VENDORS® CROWN SEVENTY TWO®, SERIES OR GOLDEN FURNITURE LINE, FM-72 FOOD MERCHANDISER EQUIPPED WITH A "CAM STYLE COMPARTMENT LOCK ASSEMBLY"

This Instruction covers procedures for installing a Monetary Compartment Frame Replacement Kit on a Crown Seventy Two, Series or Golden Furniture Line FM-72 Merchandiser equipped with a Cam Style Lock Assembly on the Monetary Compartment.

### NOTE

*The Monetary Frame Trim Panel, Lock Cylinder and Key for the replacement Monetary Compartment Frame are not part of the Kit and should be ordered separately. If a long type Lock Cylinder is used, such as a Van Lock Cylinder or National Lock Cylinder, a Lower Lock Latch, Part Number 130-2290, should also be ordered.*

### CAUTION

**If a Van Lock is to be installed, the Van Lock Key and Cylinder Set, Part Number 311-2165 MUST BE USED. The Van Lock Key for Van Lock Cylinders that protrude on a Cabinet Door Handle CANNOT be used with the New Style Lift Handle included in the Kit. The Van Lock Cylinder used in a Cam Style Lock CANNOT be used in the New Style Lift Handle included in the Kit.**

The LIFT HANDLE STYLE LOCK ASSEMBLY is of a different design and operation than the CAM STYLE LOCK ASSEMBLY. Therefore, the two styles of Lock Assemblies CANNOT be used as a substitute for, or a replacement for each other.

### NOTE

*Neither the Monetary Compartment Frame nor any of the parts to be replaced are returnable for credit. National Vendors suggest that all unused serviceable parts be placed in inventory.*

The Kit is designed to allow maximum part interchangeability between the Monetary Compartment on the Merchandiser and the replacement Monetary Compartment. The Kit contains only those additional or replacement parts required on the replacement Monetary Compartment. Figure 1 is provided as an aid in identifying contents of the Kit.

Retain all hardware such as screws, washers, springs, etc. in marked containers to assure correct identification. Because of the many possible Monetary Compartment configurations, no specific instructions can be given for installing the Kit. It is therefore recommended that all parts and assemblies be marked in order of their removal to assure correct replacement on the Monetary Compartment Frame included in the Kit. The Parts and Service Manual for the Merchandiser should be referred to for determining location of parts, not covered by this Instruction.

Read this Instruction carefully and thoroughly before installing the Kit. Retain this Instruction for reference and part number information.

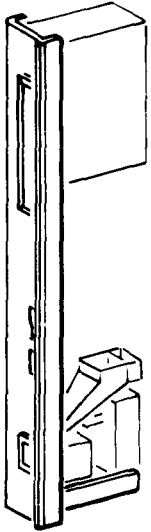
Two Kits are covered by this instruction. One Kit contains a Formica Monetary Frame and the other Kit contains a Vinyl Monetary Frame.

The Vinyl Monetary Compartment Frame Replacement Kit, Part Number 417-2188, contains the following parts:

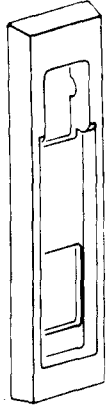
Part Number	Description	Quantity
417-2601	Vinyl Monetary Frame	1
117-2190	Lock Lever	1
130-2291	Lock Lever Pivot	1
117-2191	Lock Lever Base	1
121-7161	No.10-32 x 1/2" Round Hd., Slotted Screw, W/Lockwasher	5
130-2289	Cup Spacer	1
417-2044	Latch Actuator	1
312-2090	Coin Block	1
121-1170	Silicone Caution Label	1
417-2559	Monetary Compartment Latch Location Label	1
417-1148	Latch	1
130-2324	Door Latch Catch	1
130-2325	Lock Shock Absorber	1
130-2326	Latch Shield	1
9900-067	7/16 O.D. x .203 I.D. x .062 Flat Steel Washer	1
417-2189	Installation Instruction	1
	* * *	

The Formica Monetary Compartment Frame Replacement Kit, Part Number 417-2195, contains the following parts:

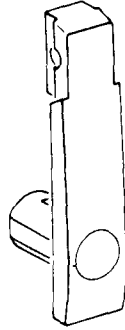
Part Number	Description	Quantity
417-2591	Formica Monetary Frame	1
117-2190	Lock Lever	1
130-2291	Lock Lever Pivot	1
117-2191	Lock Lever Base	1
121-7161	No.10-32 x 1/2" Round Hd., Slotted Screw, W/Lockwasher	5
130-2289	Cup Spacer	1
417-2044	Latch Actuator	1
312-2090	Coin Block	1
121-1170	Silicone Caution Label	1
417-2559	Monetary Compartment Latch Location Label	1



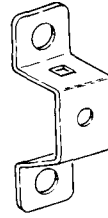
**MONETARY FRAME  
PART NUMBER  
417-2591 OR  
417-2601**



**LOCK LEVER BASE  
PART NUMBER  
117-2191**



**LOCK LEVER  
PART NUMBER  
117-2190**



**FLAT STEEL WASHER  
PART NUMBER  
9900-067**

**DOOR  
LATCH  
CATCH  
PART NUMBER  
130-2324**



**LATCH SHIELD  
PART NUMBER  
130-2326**



**LOCK SHOCK  
ABSORBER  
PART NUMBER  
130-2325**



**LOCK LEVER  
PIVOT  
PART NUMBER  
130-2291**



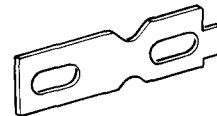
**CUP SPACER  
PART NUMBER  
130-2289 (1)**



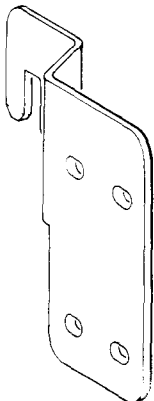
**CAUTION LABEL  
PART NUMBER  
121-1170**



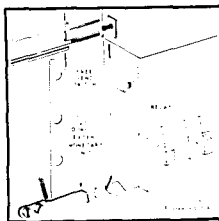
**NO. 10-32 x 1/2" RHS  
SCREW W/LW  
PART NUMBER  
121-7161 (5)**



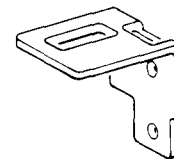
**COIN BLOCK  
PART NUMBER  
312-2090**



**LATCH  
PART NUMBER  
417-1148**



**MONETARY COMPARTMENT  
LATCH LOCATION LABEL  
PART NUMBER  
417-2559**



**LATCH ACTUATOR  
PART NUMBER  
417-2044**

**FIGURE 2**

417-1148	Latch	1
130-2324	Door Latch Catch	1
130-2325	Lock Shock Absorber	1
130-2326	Latch Shield	1
9900-067	7/16 O.D x .203 I.D. x .062 Flat Steel Washer	1
417-2189	Installation Instruction * * *	1

3. Tag and unplug the Coin Mechanism Wire Harnesses from the Monetary Compartment Wire Harness.
4. Remove the Coin Mechanism.

**CAUTION**

**DO NOT** apply any lateral movement to the Monetary Compartment after removing the attaching hardware from the Upper Cabinet Monetary Slide.

**TO INSTALL THE KIT:**

**A. PARTS REMOVAL**

1. Open the Monetary Compartment

**WARNING**

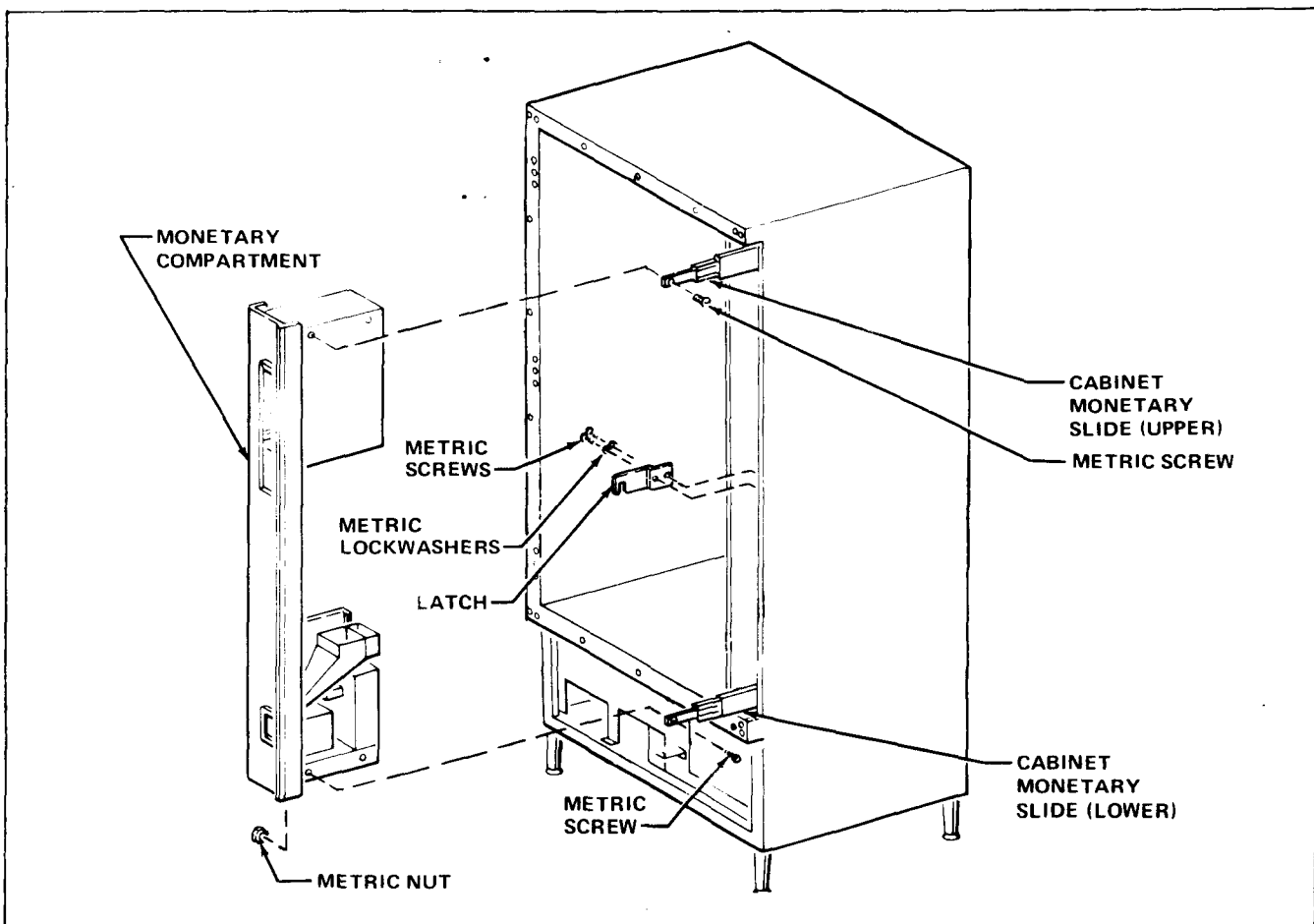
**Comply with ALL applicable Local Electrical Safety Requirements.**

2. Cut off electrical power to the Monetary Compartment by disconnecting the Cabinet Wire Harness from the Monetary Compartment Wire Harness. This will extinguish the Display Lights, but will enable the Merchandiser to maintain the temperature in the Drum Compartment.

5. Remove the two Metric Screws from the Upper Cabinet Monetary Slide. See Figure 2.
6. Remove the two Metric Nuts, and Screws from the Lower Cabinet Monetary Slide. See Figure 2.
7. Carefully remove the Monetary Compartment from the Cabinet.

**NOTE**

*Because of the many configurations of Monetary Compartments possible, no specific disassembly instructions can be given. Carefully note order of removal. Keep all small parts in marked containers. Refer to the Merchandiser Parts and Service Manual to determine extent of assembly breakdown not covered by this Instruction.*



**FIGURE 2**

8. Remove all parts and assemblies from the Monetary Compartment that are to be used on the replacement Monetary Compartment Frame. Parts not reuseable are:

- a. Monetary Frame Trim Panel
- b. Cam Lock Assembly
- c. Lock Cylinder
- d. Coin Block

9. Remove the Latch from the right front edge of the Cabinet by removing the two Metric Screws and Lockwashers. Retain the attaching hardware for use with the replacement Latch. See Figure 2.

**B. TO INSTALL THE MONETARY COMPARTMENT FRAME REPLACEMENT KIT:**

1. Install Latch, Part Number 417-1148, included in Kit on Cabinet by aligning the lower two holes in the Latch with the two Lock Latch holes in the Cabinet and attach by using two Metric Lockwashers and Screws. See Figure 3.

2. Place the replacement Monetary Frame Trim Panel, not included in the Kit, in position on the replacement Monetary Compartment Frame included in Kit.

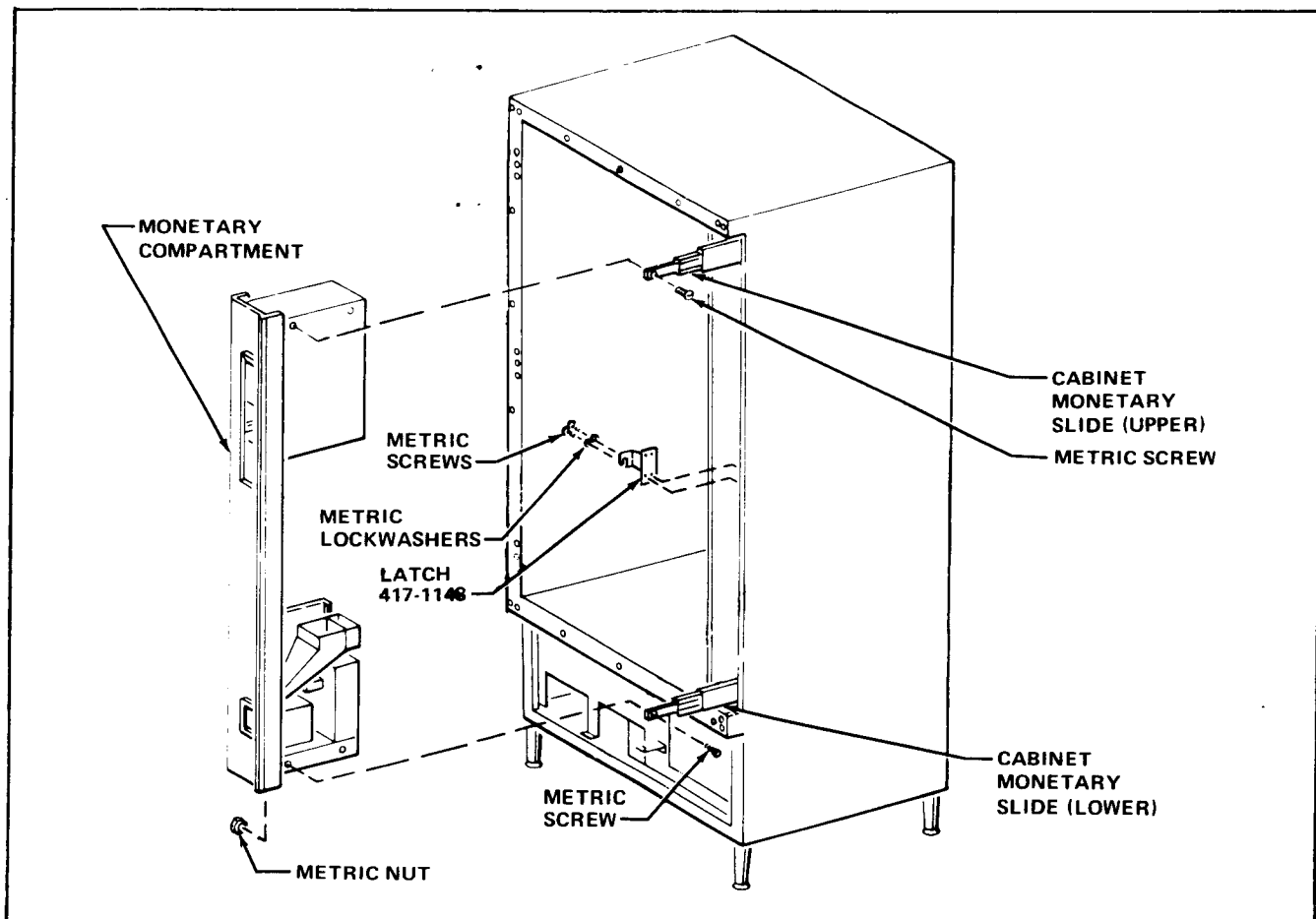
3. Fit Lock Lever, Part Number 117-2190, into Lock Lever Base, part number 117-2191. Both parts are included in Kit. See Figure 4.

4. Insert Lock Lever Pivot, Part Number 130-2291, included in Kit, into the Lock Lever as shown in Figure 4.

**NOTE**

*The assembly of parts in Step 4 shall hereafter be referred to in this Instruction as "Lift Handle Lock Lever Assembly".*

5. Install the Lift Handle Lock Lever Assembly in the cutout provided in the replacement Monetary Frame Trim Panel and replacement Monetary Compartment Frame with a No.10-32 x 1/2" Round Head Slot Screw W/Lockwasher, Part Number 121-7161, and a Cup Spacer, Part Number 130-2289, both parts included in Kit. See Figure 5.



**FIGURE 3**

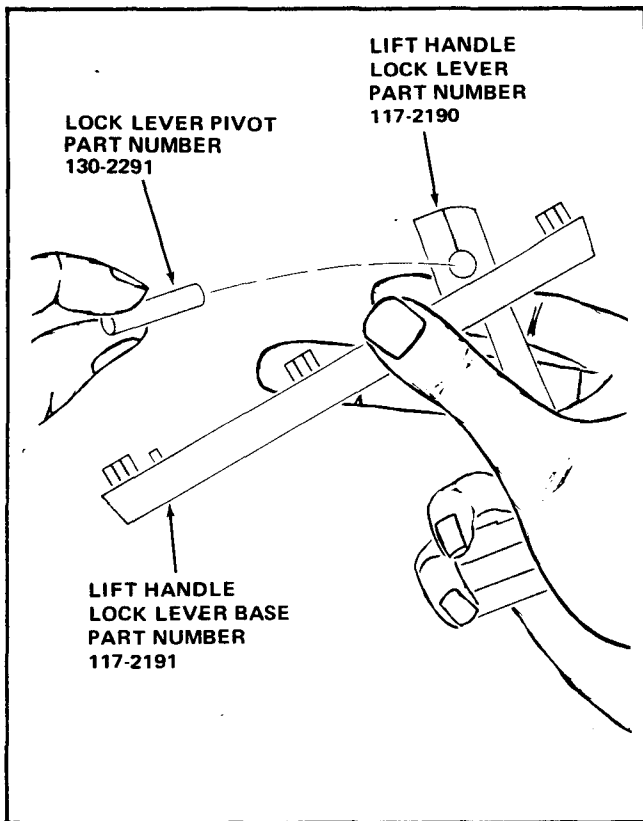


FIGURE 4

**NOTE**

*If long type Lock Cylinder is to be used, Lower Lock Latch, Part Number 130-2290, not included in Kit, should be installed on the lower attachment point of the Lift Handle Lock Lever Assembly. See Figure 5.*

6. Install the Lower Lock Latch, part number 130-2290 and the Door Latch Catch, part number 130-2324, included in the Kit, on the Monetary Compartment Frame. See Figure 5. Attach the parts with the Flat Steel Washer, part number 9900-067 and a Screw/Lockwasher, part number 121-7161, both of which are included in the Kit. See Figure 6 for the proper space adjustment of the Lower Lock Latch.
7. Install the Latch Shield, part number 130-2326, included in the Kit, and attach the Door Latch Catch and the Latch Shield with a Screw/Lockwasher included in the Kit. See Figure 5.
8. Install Latch Actuator, Part Number 417-2044, on the Lift Handle Lock Lever Assembly with two Screws W/Lockwashers, Part Number 121-7161, all parts included in Kit. See Figure 7.

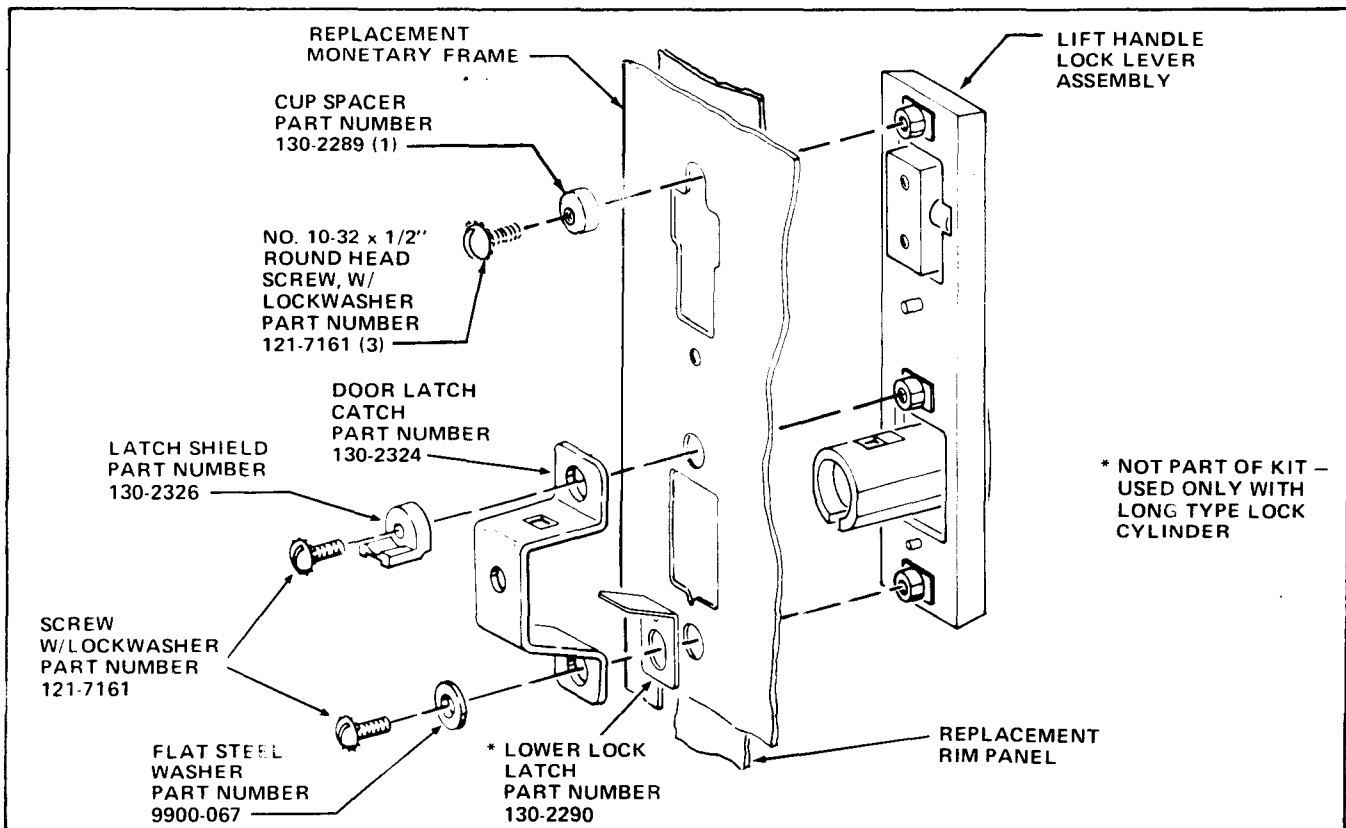


FIGURE 5

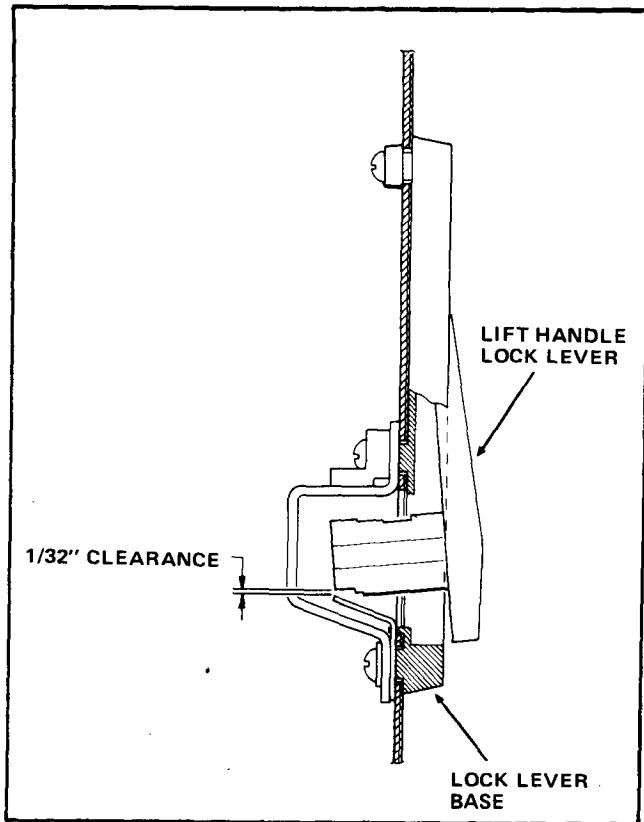


FIGURE 6

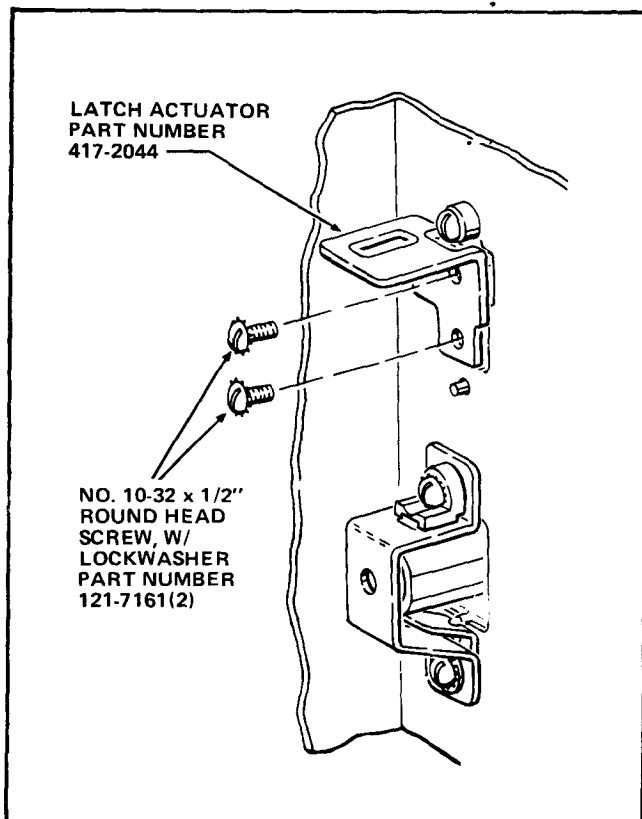


FIGURE 7

9. Install Coin Block, Part Number 312-2090, included in Kit in either of the desired positions shown in Figure 8 with the two Screws removed from the Coin Block on the Merchandiser Monetary Compartment.

10. Complete the installation of parts on the replacement Monetary Compartment Frame with the reusable parts and assemblies taken from the Merchandiser Monetary Compartment. If necessary, refer to the Parts and Service Manual of the Merchandiser.

11. Install Labels, Part Number 121-1170, and 417-2559 included in the Kit on the replacement Monetary Compartment.

**CAUTION**

Do not apply any lateral movement to the replacement Monetary Compartment before the attaching hardware in the Upper and Lower Cabinet Monetary Slides is installed.

12. Carefully install the replacement Monetary Compartment on the Cabinet.

13. Replace the two Metric Screws and Nuts in the Lower Cabinet Monetary Slide, and the two metric screws in the Upper Cabinet Monetary Slide. See Figure 3.

14. Replace the Coin Mechanism on the replacement Monetary Compartment.

15. Connect the Coin Mechanism Wire Harnesses to the replacement Monetary Compartment Wire Harness.

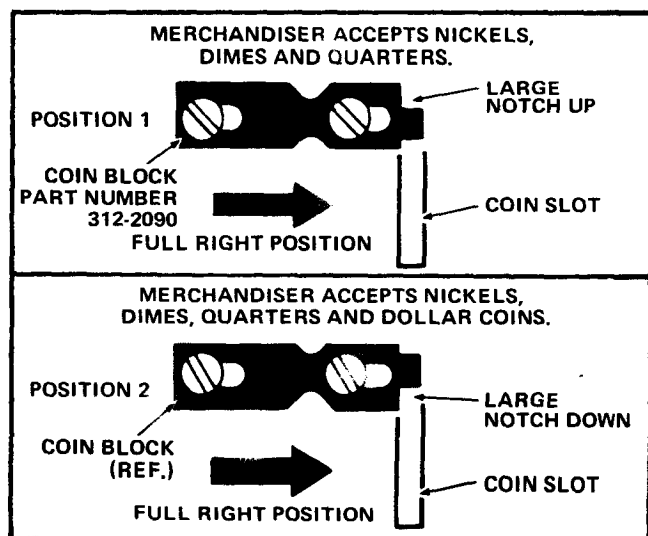


FIGURE 8

**CAUTION**

1. Do not close and lock the replacement Monetary Compartment until the Lock has been operated with the Monetary Compartment open.
2. If a Van Lock is to be installed, the Van Lock Key and Cylinder Set, Part Number 311-2165 not included in the Kit, **MUST BE** used. The Van Lock Key for Van Lock Cylinders that protrude on a Cabinet Door Handle **CANNOT** be used with the New Style Lift Handle included in the Kit. The Van Lock Cylinder used in a Cam Style Lock **CANNOT** be used in the New Style Lift Handle included in the Kit.

**NOTE**

1. If the Lock to be used is a short-cylinder Lock, follow steps 16 and 17 and Skip step 18.
  2. If the Lock to be used is a long-cylinder Lock, skip steps 16 and 17 and follow step 18.
16. If the Lock to be used is a short-cylinder Lock, pull the Lift Handle Lock Lever out of the Lever Base and install Lock Shock Absorber, part number 130-2325 included in the Kit. Push the Shock Absorber into the back of the Lock Lever lock retaining cylinder. See Figure 9. The Lock Shock Absorber fills the space between the short type Lock Cylinder and the Door Latch Catch when the Lock Lever is in the locked position.
17. Insert the Lock Cylinder into the Lift Handle Lock Lever, Lock-pin up. See Figure 10.
18. If the Lock to be used is a long-cylinder Lock, insert the Lock Cylinder into the Lift Handle Lock-pin down. **DO NOT** use the Lock Shock Absorber. See Figure 11.

**NOTE**

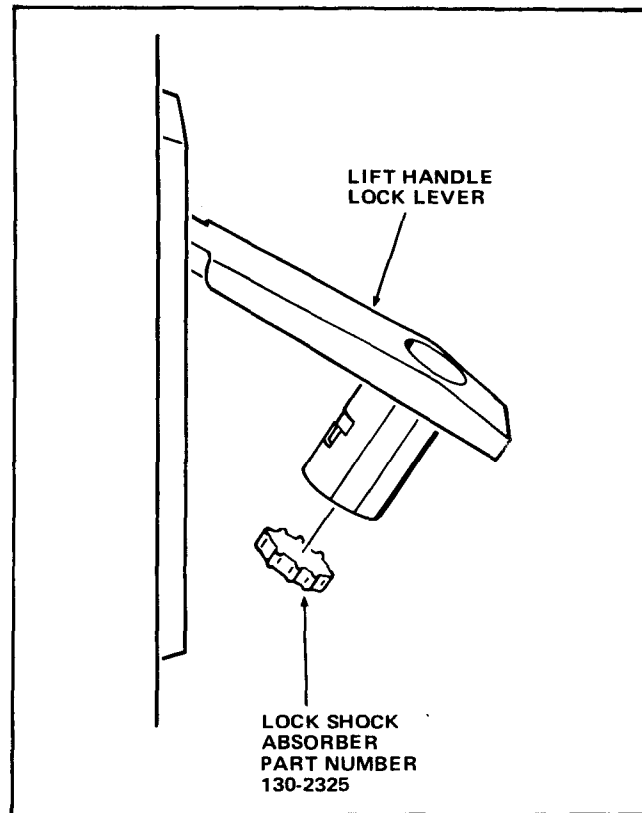
*If the Spring loaded Lock-pin in the Lock Cylinder fails to snap into place in the Lift Handle Lock Lever, use the Key to rotate the Lock Cylinder until the spring-loaded Lock-pin snaps into place.*

19. Connect the replacement Monetary Compartment Wire Harnesses to the Cabinet Wire Harness.

**CAUTION**

**Do not force the closure of the Lift Handle Lock Lever when closing the replacement Monetary Compartment.**

20. Close the replacement Monetary Compartment and press Lift Handle Lock Lever down to lock. If closure of the Lift Handle Lock Lever is too firm or the replacement Monetary Compartment not tight, adjust the Latch on the Cabinet. See in Section C.



**FIGURE 9**

21. Close and lock the replacement Monetary Compartment.
22. Test Vend the Merchandiser with Coins.

**C. ADJUSTMENTS**

1. To adjust Latch, Part Number 417-1148:
  - a. Loosen the two Metric Screws attaching the Latch, Part Number 417-1148. See Figure 3.
  - b. (1) If closure of the Lift Handle is too firm, move the Latch forward (toward front of Cabinet) 1/16 inch.  
(2) If closure of the Lift Handle is too weak, move the Latch back (toward rear of Cabinet) 1/16 inch.
  - c. Tighten the two Metric Screws.
  - d. Close the Monetary Compartment and press Lift Handle down to lock. Repeat Steps "a" thru "c" until desired closure of the Lift Handle and Monetary Compartment is obtained.

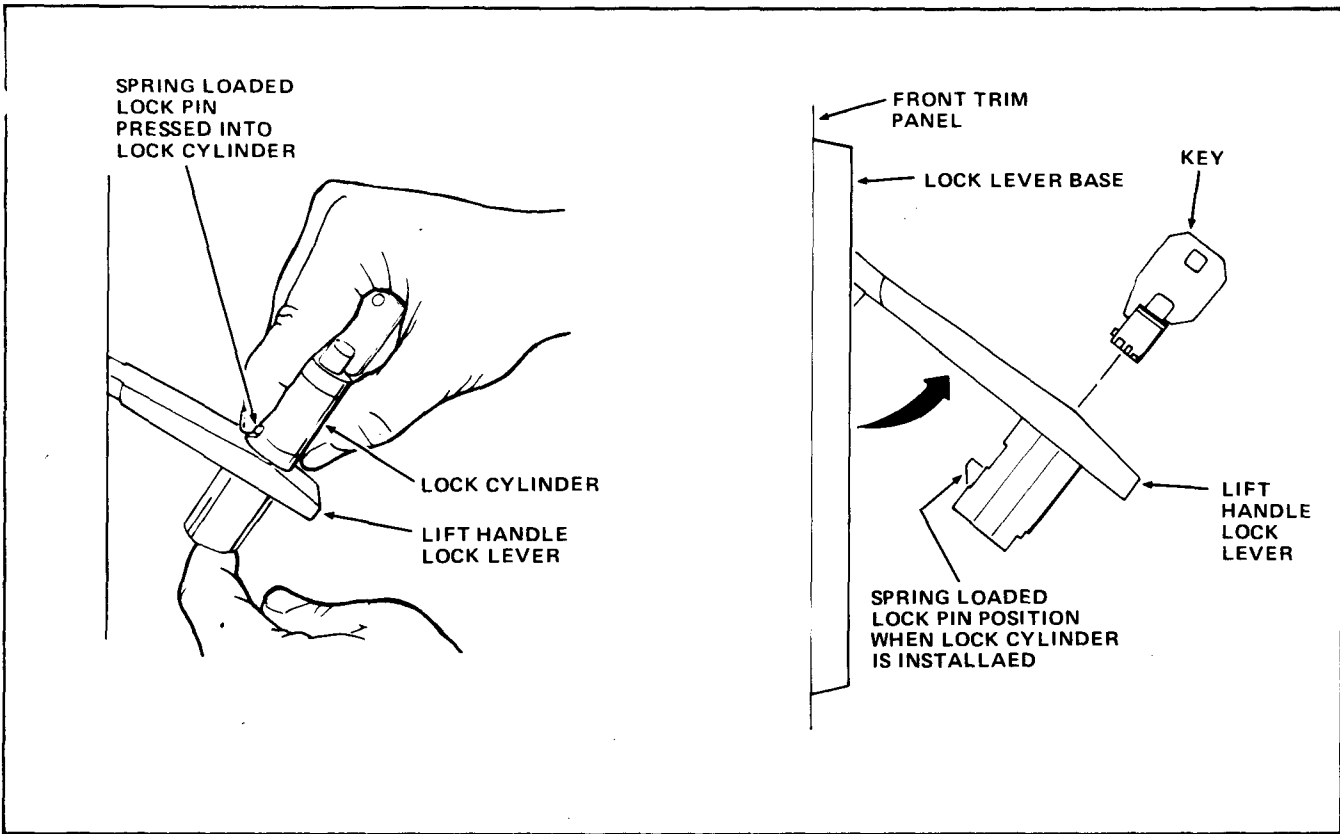


FIGURE 10

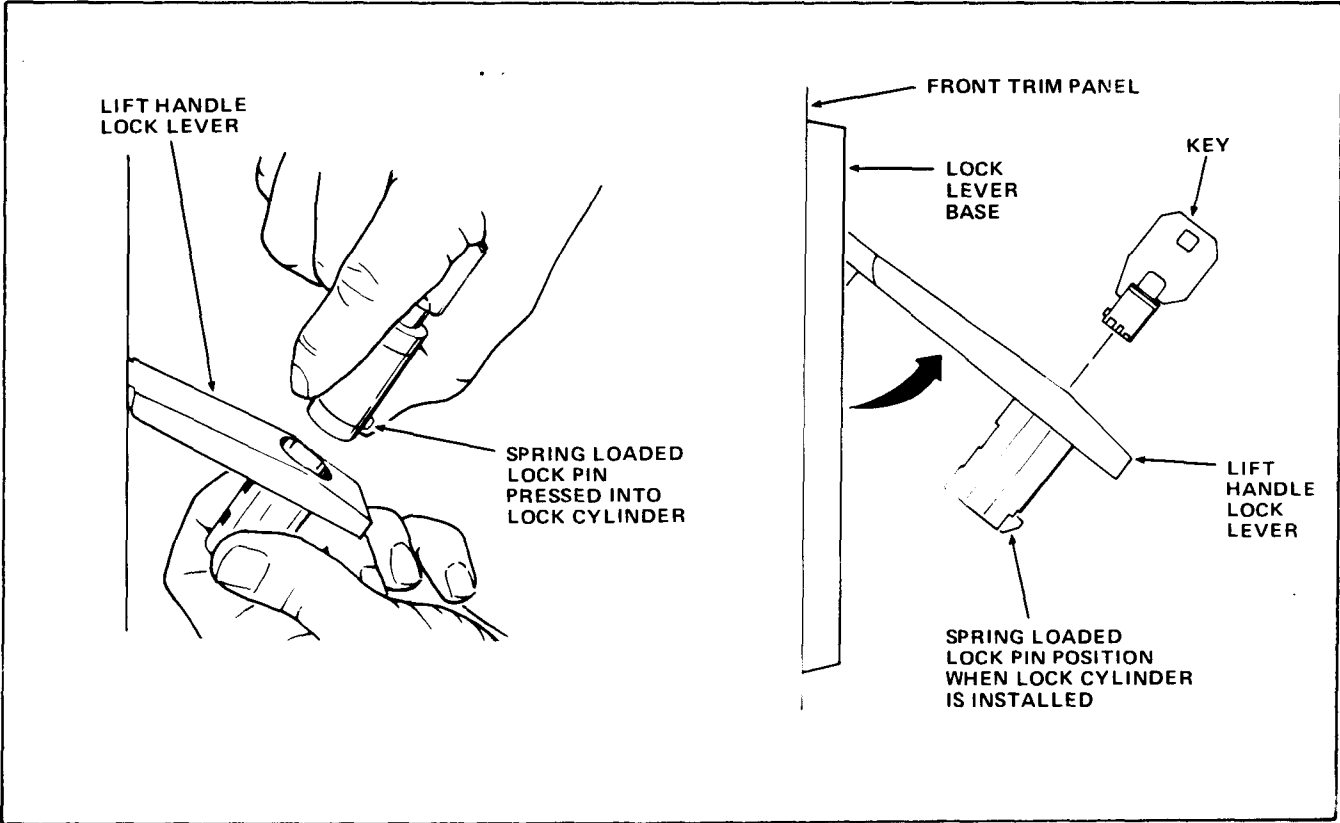


FIGURE 11